



**Liza**

The masterpiece of the Liza collection is the iconic, baroque-inspired table lamp, available in the classic Prisma version, as well as a new Pewter version, both using Slamp's patented techno-polymer materials. Liza has a double illumination system, with a courtesy LED in the base and bulb in the principle pleated shade, creating contrasts of light and shadows that give depth and warmth to any space.

Brand: **SLAMP**, MADE IN ITALY

Item type: Table lamp

Item code: LIZ86TAV0000LE000

Designer: Elisa Giovannoni

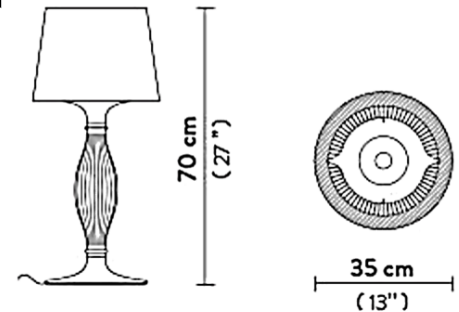
*General*

Details: LENTIFLEX® and Polycarbonate in PRISMA  
net: kg 2.5 - gross: kg 3

*Bulb*

suggestion: HAT BULB: 1X20W max - E27 FBT  
OR 1x70W max - E27 HALOGEN

Dimension: Ø 35 x 70 cm



Please click the link for more option and finishes:

<https://www.slamp.com/en/products/table/liza-table/>